

**FRONT ELEVATION  
STANDARD HEIGHT  
TOWER A**

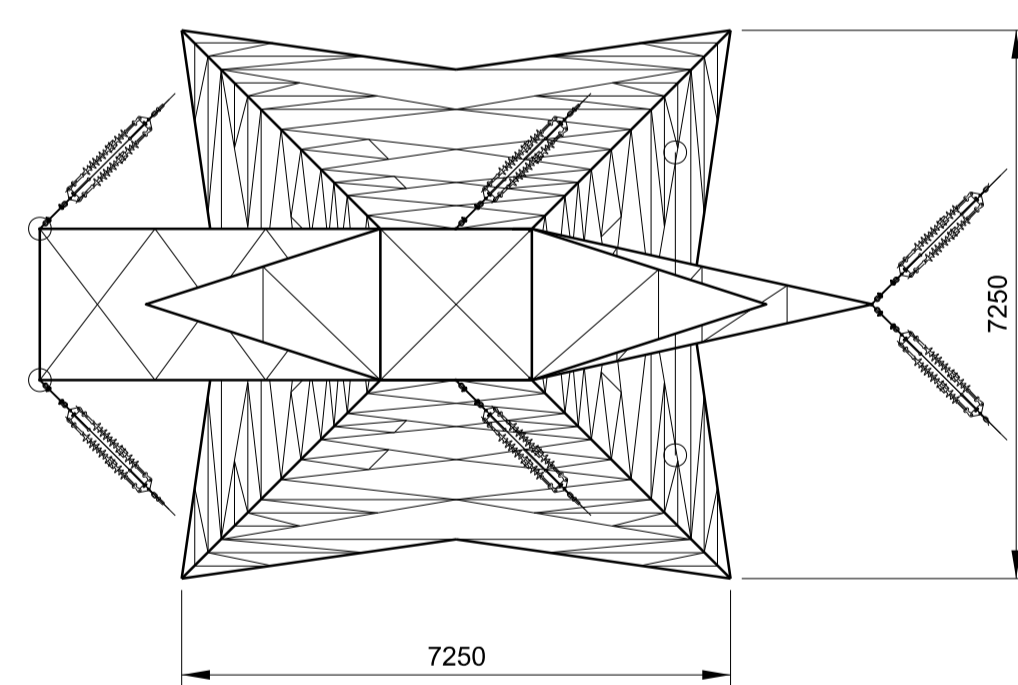
**FRONT ELEVATION  
-1m LEG  
TOWER B**

**FRONT ELEVATION  
+1m LEG  
TOWER C**

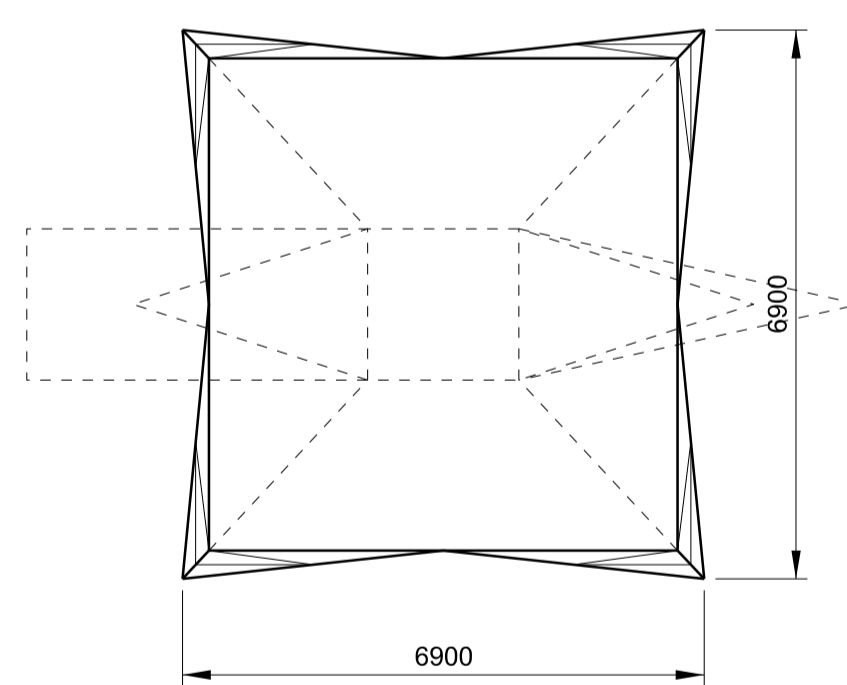
**FRONT ELEVATION  
+2m LEG  
TOWER D**

**FRONT ELEVATION  
+3m LEG  
TOWER E**

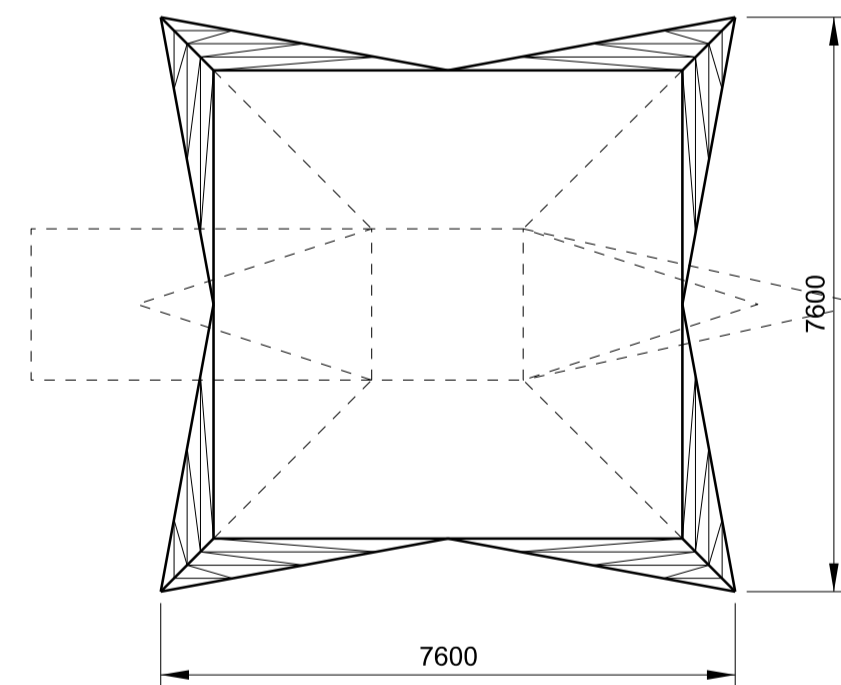
**SIDE ELEVATION  
STANDARD HEIGHT**



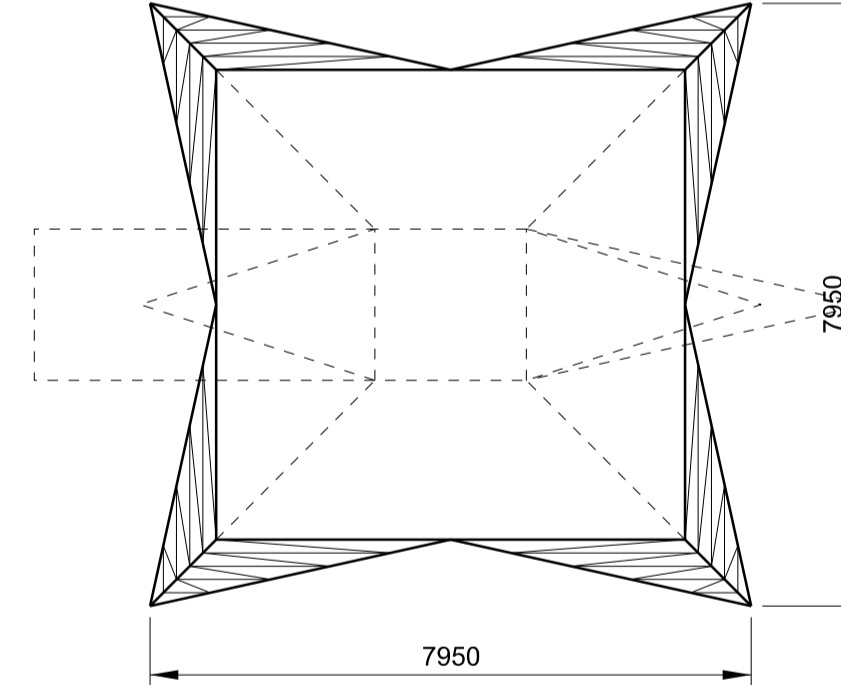
**PLAN VIEW  
STANDARD HEIGHT**



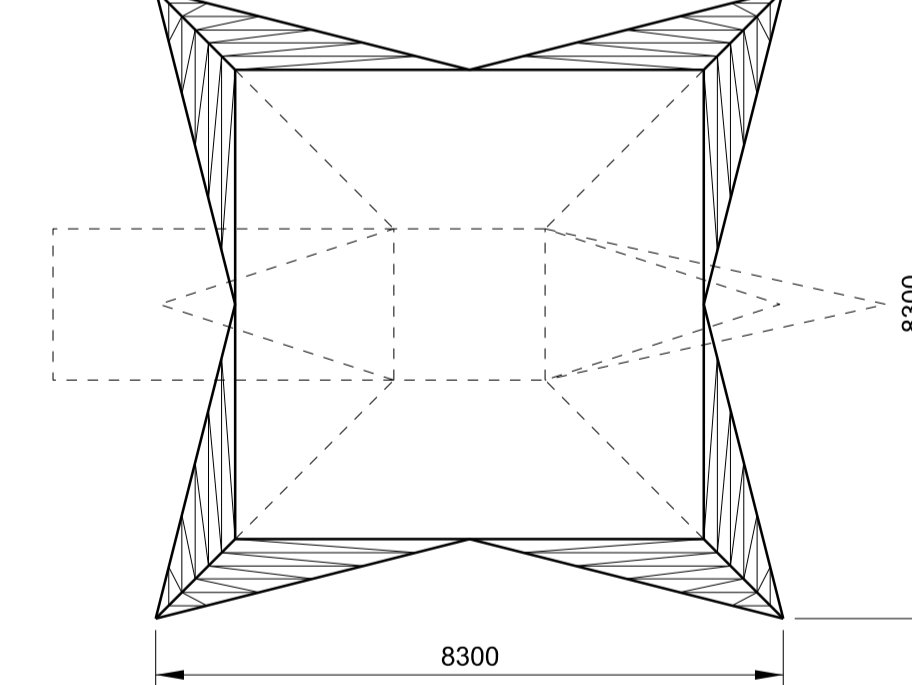
**PLAN VIEW  
-1m LEG**



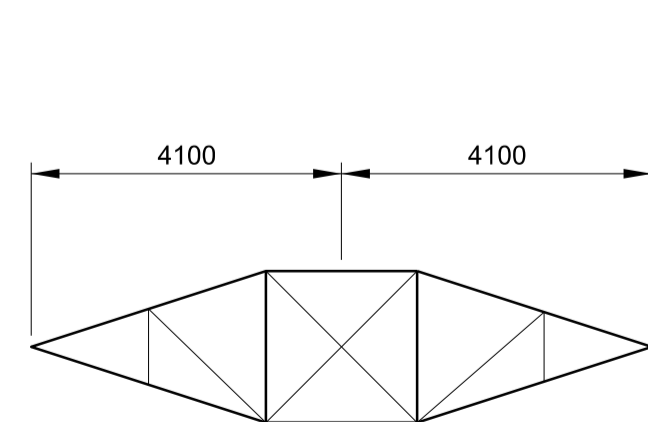
**PLAN VIEW  
+1m LEG**



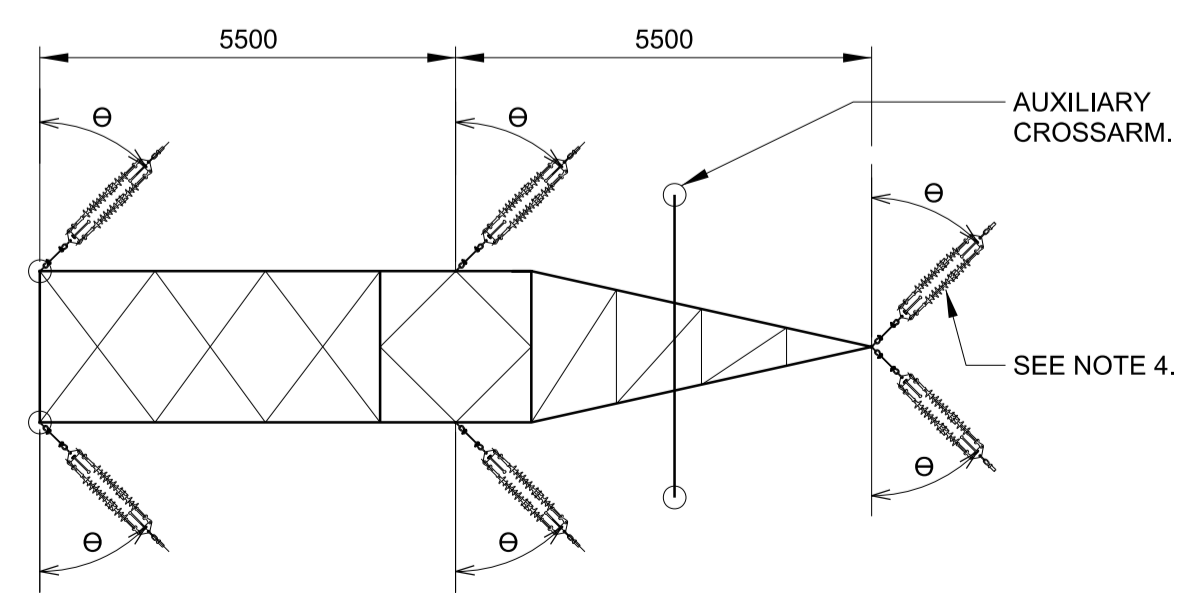
**PLAN VIEW  
+2m LEG**



**PLAN VIEW  
+3m LEG**



**PLAN VIEW A - A**



**PLAN VIEW B - B**

**NOTES:**

- STANDARD TOWER HEIGHT MAY BE VARIED USING LEG EXTENSIONS AS INDICATED.
- COMBINATIONS OF DIFFERENT LEG EXTENSIONS MAY BE USED ON THE SAME TOWER TO CATER FOR SLOPING GROUND.
- PLAN A-A & B-B ARE COMMON TO ALL TOWER HEIGHTS.
- INTERNAL BRACING MAY CHANGE DEPENDING ON TOWER SUPPLIER.
- ORIENTATION OF INSULATOR  $\theta$  IN PLAN WILL VARY FROM  $0^\circ$  -  $45^\circ$  FOR EACH TOWER LOCATION.
- ALL DIMENSIONS IN MILLIMETRES UNLESS STATED OTHERWISE.
- ACTUAL DIMENSIONS MAY BE LESS THAN SHOWN ON DRAWING, DEPENDING ON TOWER SUPPLIER.

REV.	DATE	REVISION DESCRIPTION	DRN	PROD.	VER	APP
PURPOSE OF ISSUE - PRELIMINARY UNLESS INDICATED						
CLIENT APPROVAL <input type="checkbox"/> PLANNING <input checked="" type="checkbox"/> TENDER <input type="checkbox"/> CONSTRUCTION <input type="checkbox"/> AS-BUILT <input type="checkbox"/>						
Client: ESB Wind Development Ltd & Bord na Móna Powergen Ltd						
Project: TIMAHOE NORTH SOLAR DEVELOPMENT						
Contract:						
Drawing Title: Timahoe North Loop into Derryiron - Maynooth 110 kV Line - Outline Drawing for Planning Single Circuit Strain Towers For All Changes in Line Direction up to 90° T15 - Max Height 24.5m						
Production Unit: Networks Engineering						
<b>One Dublin Airport Central, Dublin Airport, Cloghran, Co. Dublin</b> Tel: 353 1 703 8000 Email: marketing@esbi.ie Web: www.esbinternational.ie ESB International is a trading name of ESB Engineering & Facility Management Ltd Registered Office: as above Registered in Ireland No. 155249						
Drawn: S.Dunne	Produced: J.Gill	Verified: D.Tuohy	Approved: P.Ennis	Approval Date: 08/08/2018		
Client Ref: TC220132		No. of Shts: -	Size: A1	Scale: As Shown		
Drawing Number: PE604-D064-004-001-000						