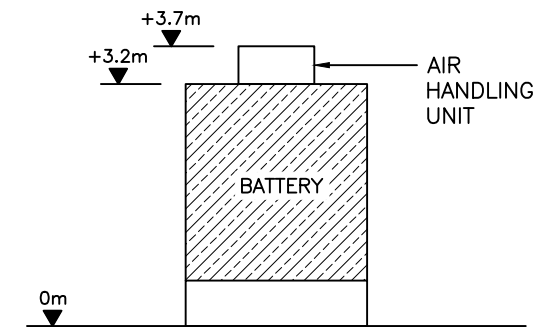
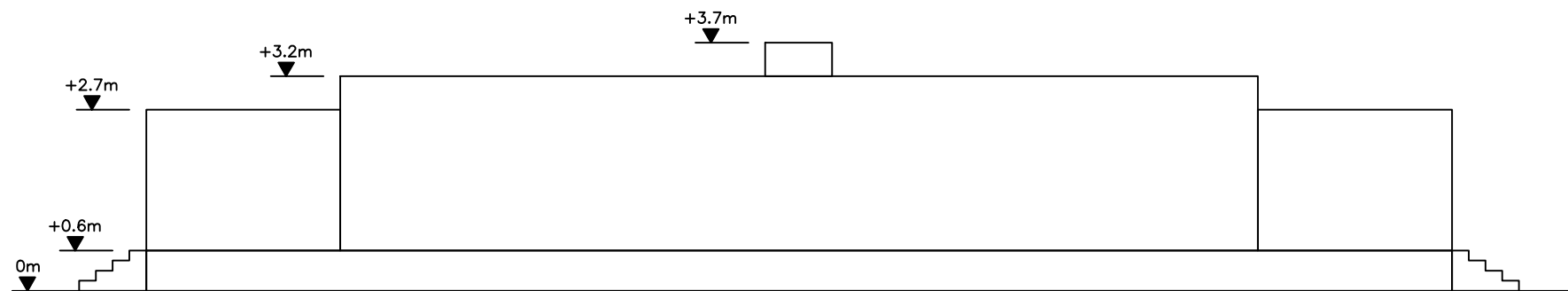


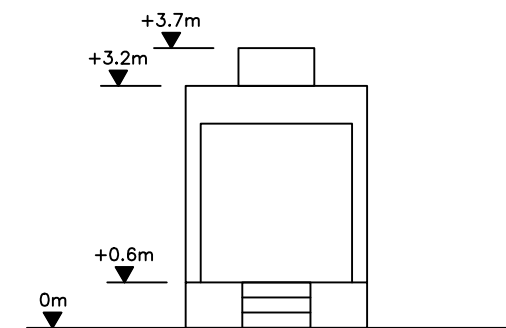
PLAN
SCALE 1:100



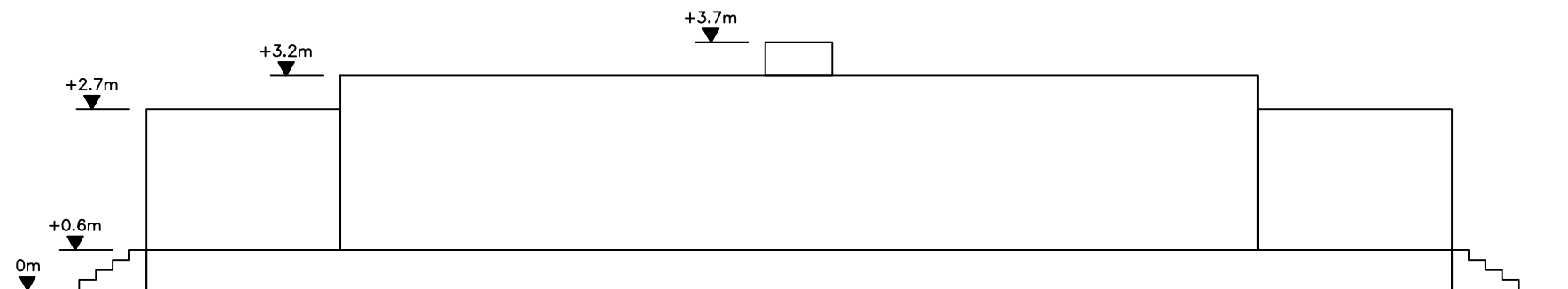
SECTION
SCALE 1:100



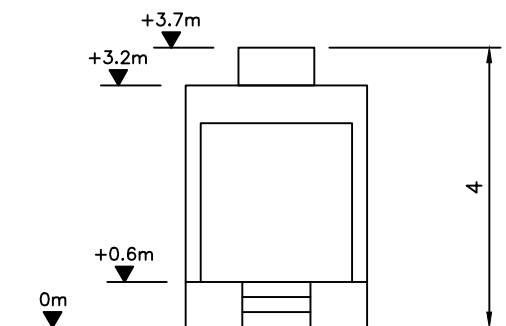
EAST ELEVATION
SCALE 1:100



NORTH ELEVATION
SCALE 1:100



WEST ELEVATION
SCALE 1:100



SOUTH ELEVATION
SCALE 1:100

Rev	Date	Revision description	Drn	Prod	Ver	App
0	03.12.18	ISSUED FOR PLANNING	SB	SB	BL	TC

Purpose of issue - Preliminary unless indicated
 Tender Client approval Construction As-built Revised

ESB INTERNATIONAL
 One Dublin Airport Central,
 Dublin Airport, Cloughran, Co. Dublin
 Tel: 353 1 703 8000 Email: marketing@esbi.ie
 Web: www.esbinternational.ie
 ESB International is a trading name of
 ESBI Engineering & Facility Management Ltd.
 Registered Office: as above
 Registered in Ireland No. 155249

Client
 ESB WIND DEVELOPMENT LTD. AND
 BORD NA MÓNA POWERGEN LTD.

Project
 TIMAHOE NORTH SOLAR FARM

Contract

Drawing title
 BATTERY UNIT PLAN ELEVATIONS & SECTION
 PLAN ELEVATION & SECTION

Production unit
 Networks Engineering

COPYRIGHT © ESBI ENGINEERING & FACILITY MANAGEMENT LIMITED.
 All rights reserved. No part of this work may be modified or reproduced or copied in any form or by any means - graphic, electronic or mechanical, including photocopying, recording, taping or information-and-retrieval system, or used for any purpose other than its designated purpose, without the written permission of ESBI Engineering & Facility Management Ltd.

Drawn S. Bolton	Produced	Verified	Approved	Approved date
Client ref. TC220700	No. of sheets 1	Size A3	Scale 1:100	
Drawing number		PE605-D025-016-001-000		
Sheet		Rev		