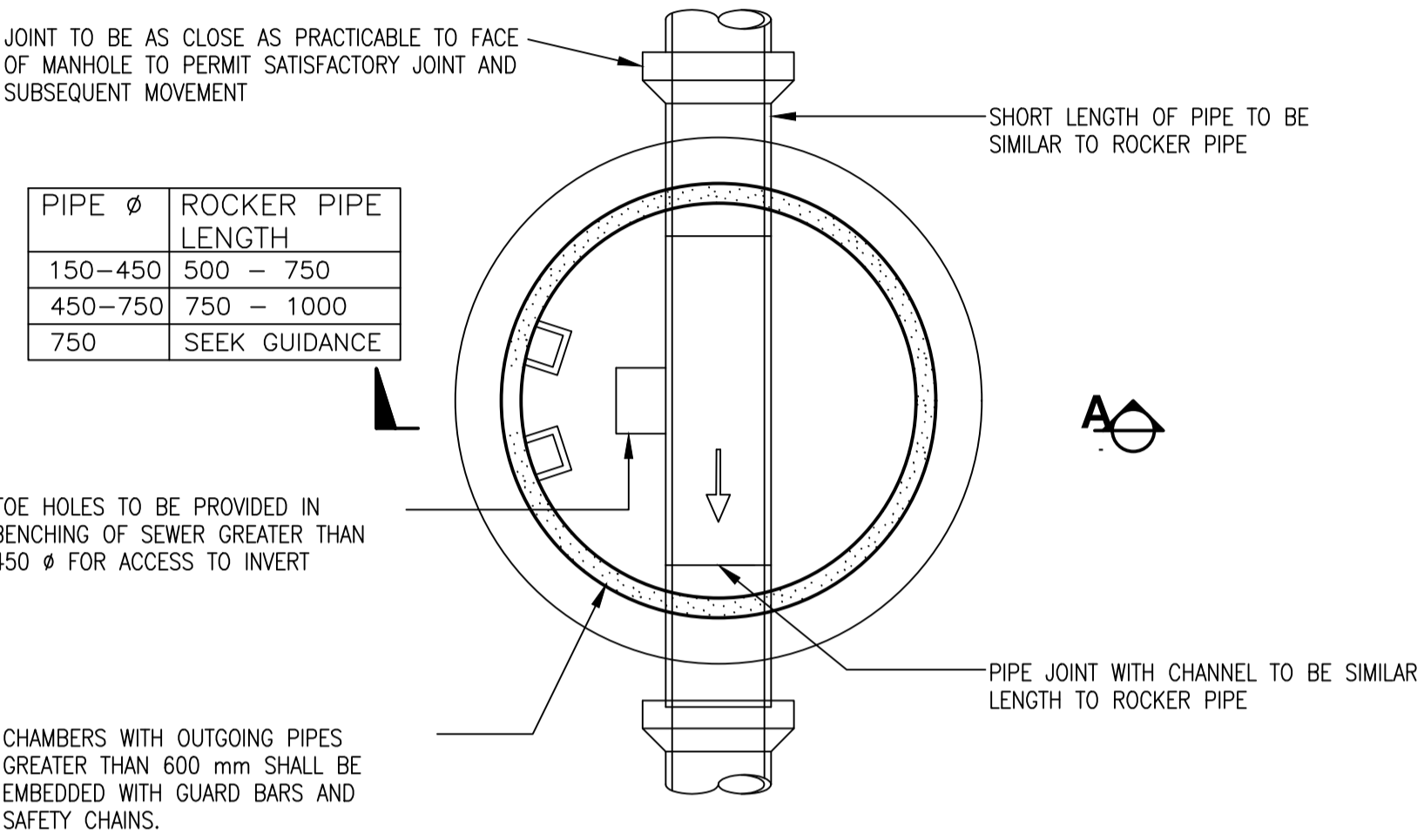


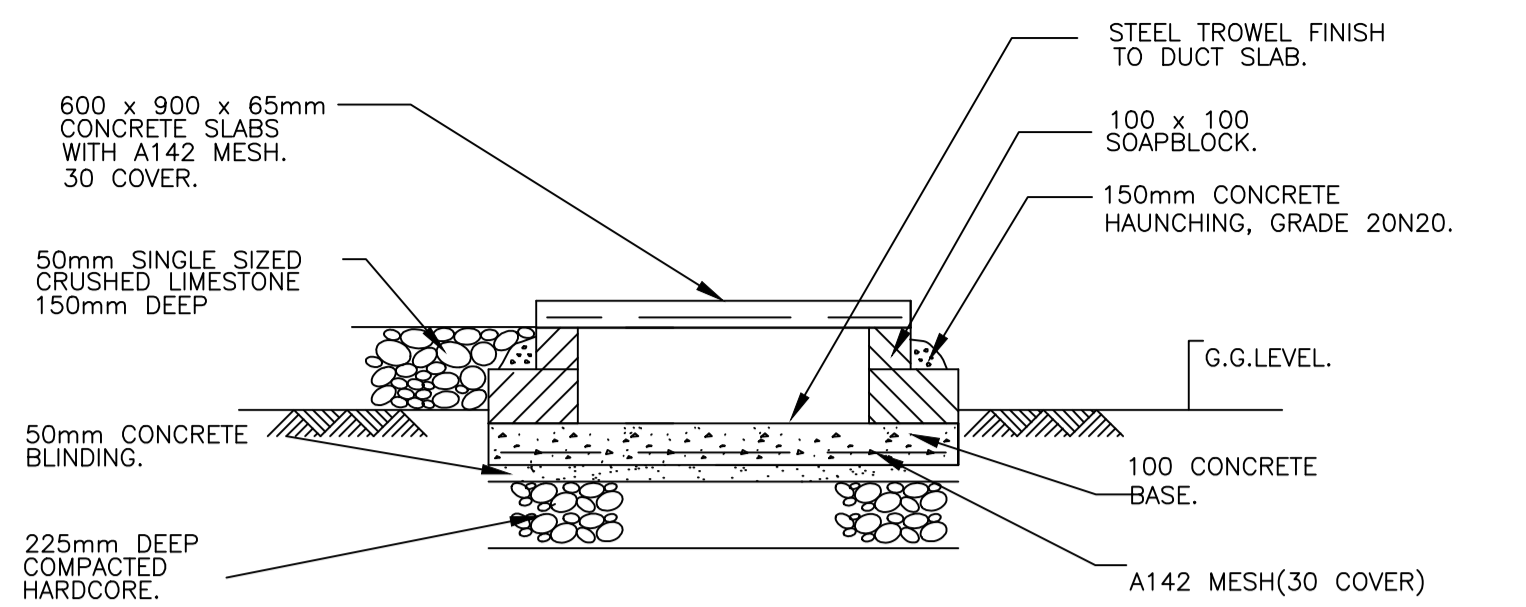
TABLE 1

CHAMBER COVERS AND FRAMES TO BE:
 a) SQUARE DUCTILE IRON WITH 600 mm CLEAR OPE. CLASS D400 TO I.S. EN 124:1994 BENEATH CARRIAGEWAYS, DRIVEWAYS AND FOOTWAYS.
 b) SQUARE DUCTILE IRON WITH 600 mm CLEAR OPE. CLASS B125 TO I.S. EN 124:1994 BENEATH GRASSED AREAS

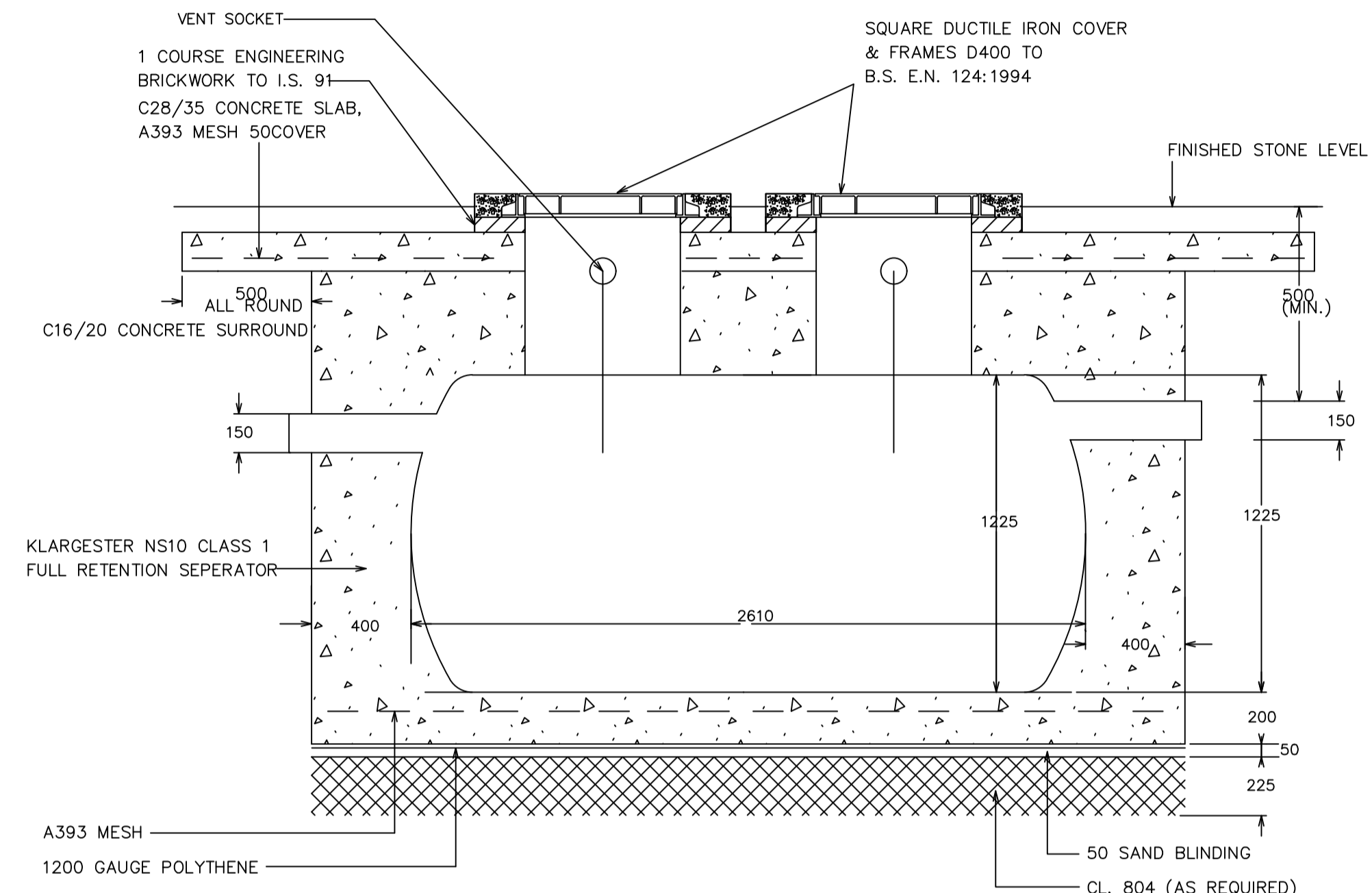


PIPE Ø	ROCKER PIPE LENGTH
150-450	500 - 750
450-750	750 - 1000
750	SEEK GUIDANCE

PLAN
SCALE 1:25

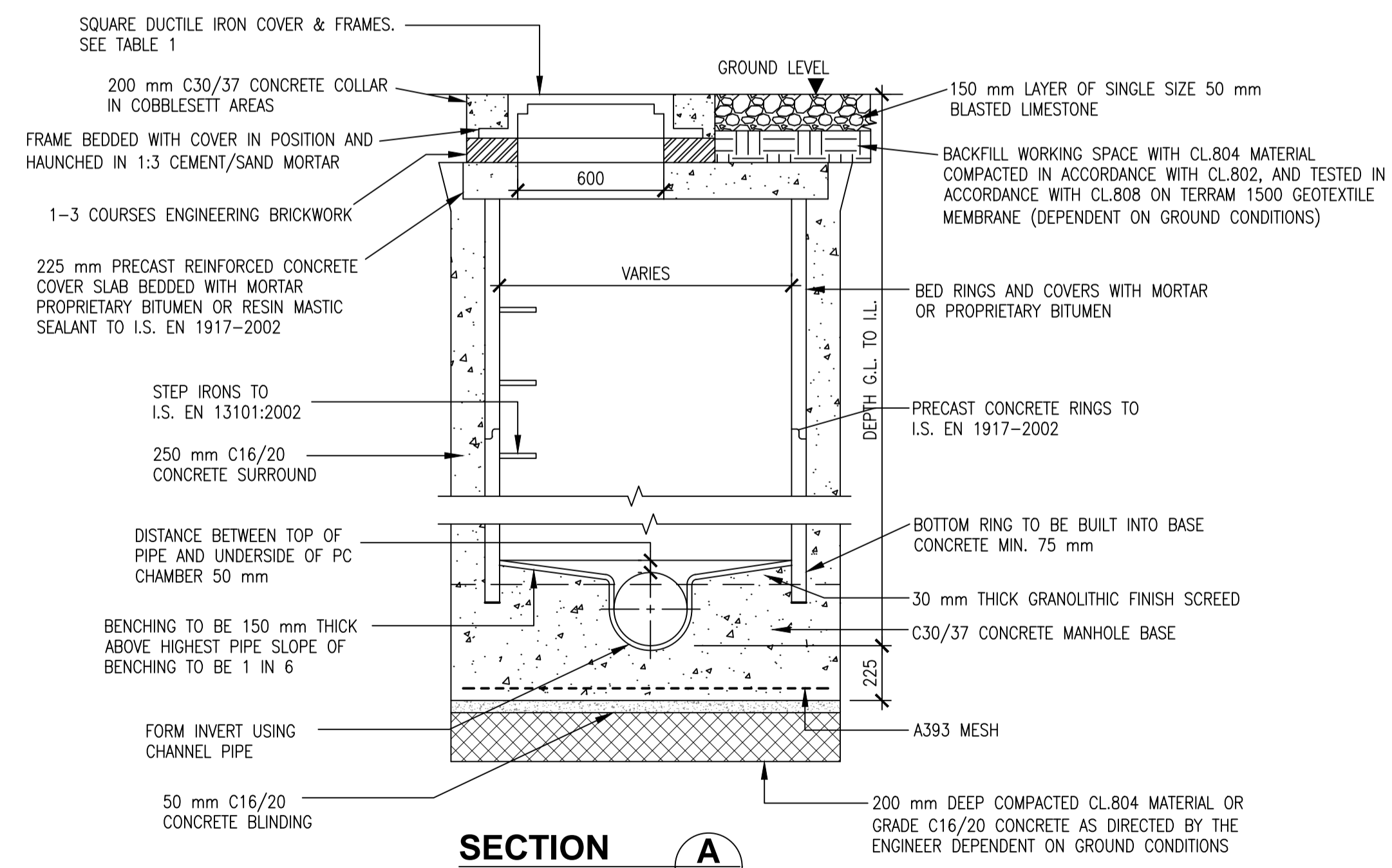


TYPICAL CROSS SECTION OF CABLE DUCT



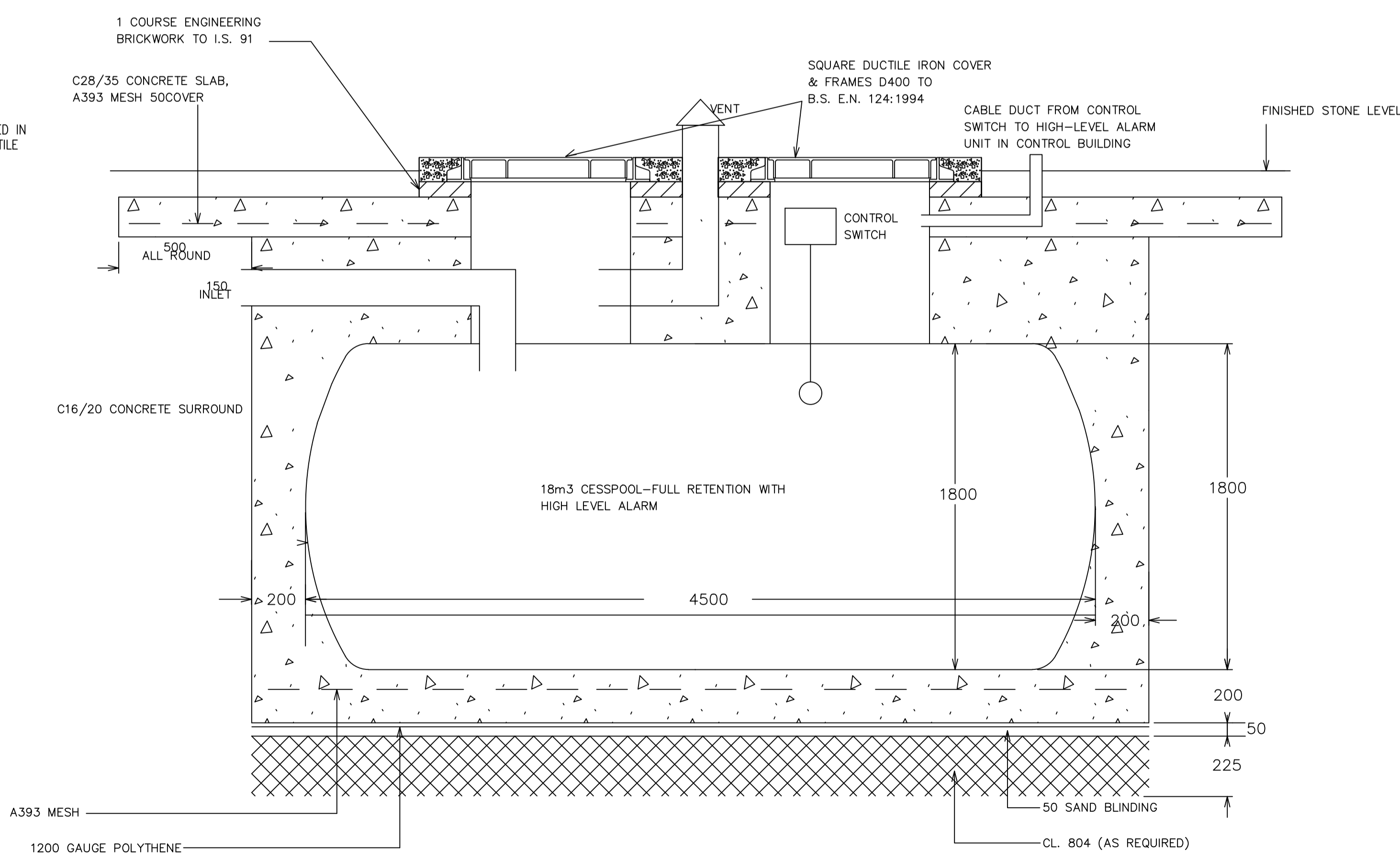
SECTION THROUGH CLASS 1 HYDROCARBON SEPARATOR

SCALE 1:20



SECTION
SCALE 1:25

TYPICAL PRECAST RING MANHOLE, DEPTH TO SOFFIT 0-3 m
SCALE 1:25



SECTION THROUGH EFFLUENT STORAGE TANK

SCALE 1:20

DETAIL 1.0	TYPICAL PRECAST RING MANHOLE
------------	------------------------------

1	06.12.18	CLIENT NAME REVISED	SB	SB	BL	DS	
0	16.02.18	ISSUED FOR PLANNING	RK	RK	BL	DS	
REV	DATE	REVISION DESCRIPTION	DRN	PROD	VER	APP	
PURPOSE OF ISSUE - PRELIMINARY UNLESS INDICATED							
TENDER	<input type="checkbox"/>	CLIENT APPROVAL	<input type="checkbox"/>	CONSTRUCTION	<input type="checkbox"/>	AS-BUILT	
	<input type="checkbox"/>		<input type="checkbox"/>		<input type="checkbox"/>	REVISED	
Client	ESB WIND DEVELOPMENT LTD. AND BORD NA MÓNA POWERGEN LTD.						
Project	TIMAHOE NORTH SOLAR FARM						
Contract							
Drawing Title	TIMAHOE NORTH SOLAR FARM HYDROCARBON INTERCEPTOR & EFFLUENT TANKS, MANHOLE DETAILS						
Production Unit	ESB WIND DEVELOPMENT LTD						
One Dublin Airport Central, Dublin Airport, Cloughran, Co. Dublin Tel: 353 1 703 8000 Email: marketing@esbi.ie Web: www.esbinternational.ie ESB International is a trading name of ESBI Engineering & Facility Management Ltd Registered Office: as above Registered in Ireland No. 155249							
DRAWN	PRODUCED	VERIFIED	APPROVED	APPD DATE			
S. Bolton							
CLIENT REF	TC219352	No. of Sites	1	SIZE	A1	SCALE	
						AS SHOWN	
DRAWING NUMBER	PE605-D025-012-001-001					SHEET	REV

COPYRIGHT © ESBI ENGINEERING & FACILITY MANAGEMENT LIMITED.
 All rights reserved. No part of this work may be modified or reproduced or copied in any form or by any means, graphic, electronic or mechanical, including photocopying, recording, taping or information-and-retrieval system, or used for any purpose other than its designated purpose, without the written permission of ESBI Engineering & Facility Management Ltd.
 8F-190-013-001-001