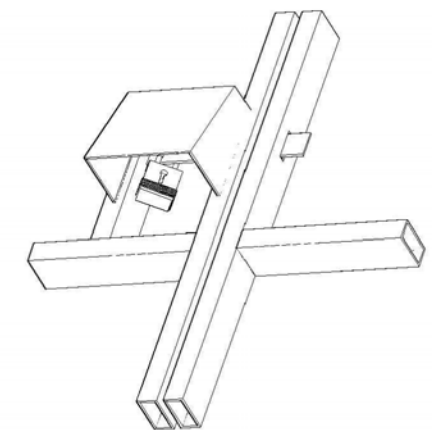
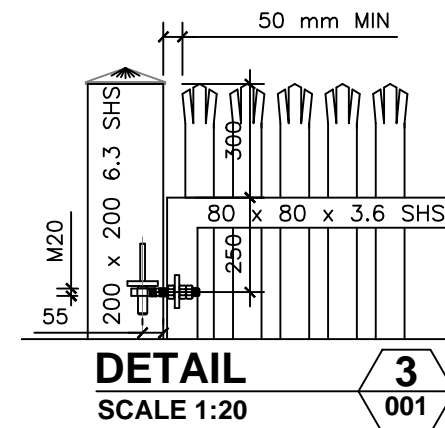
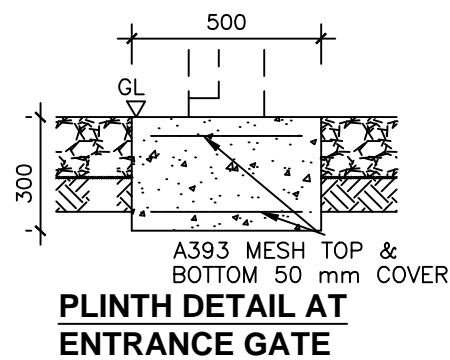
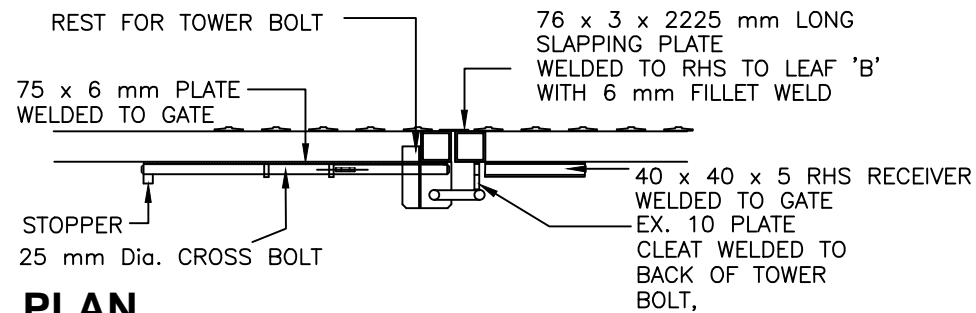
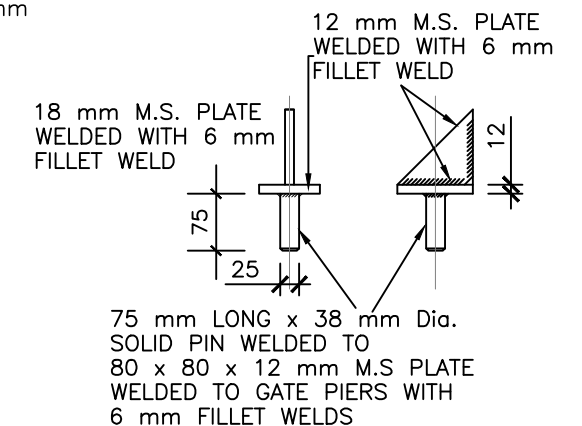
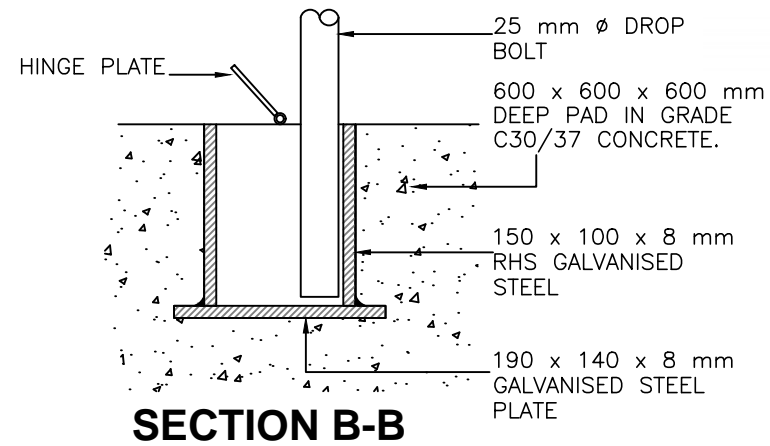
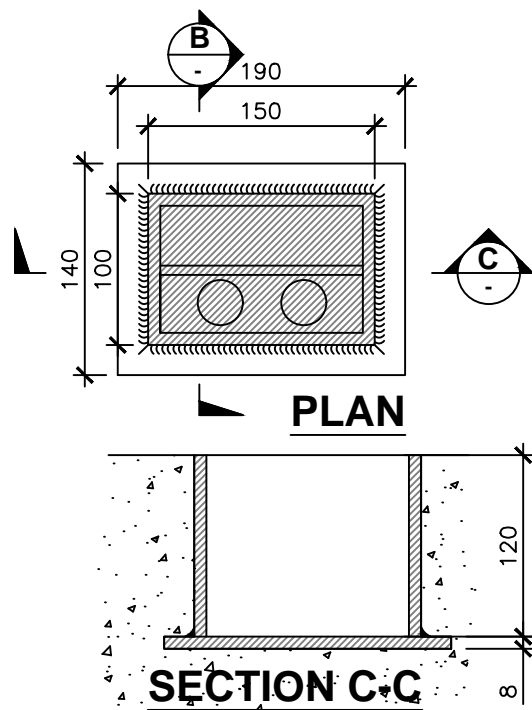
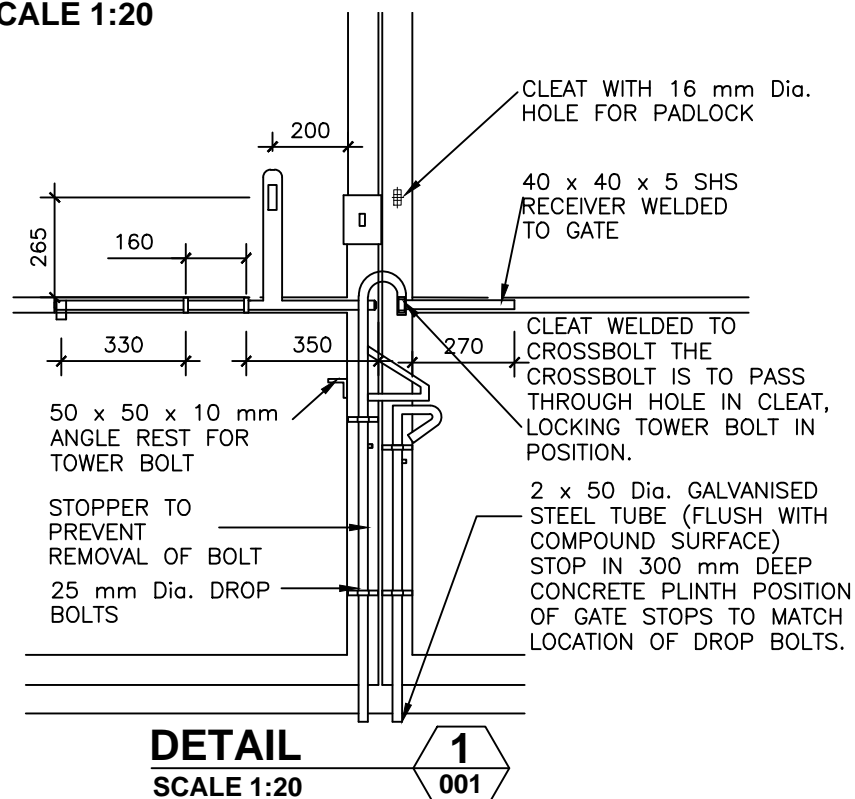


- NOTES**
- THIS DRAWING IS NOT TO BE SCALED.
 - GALVANISING TO BE IN ACCORDANCE WITH B.S. EN ISO 1461.
 - GREEN POWDER COATING TO BE IN ACCORDANCE 5. WITH B.S. EN 13438. COLOUR; MOSS GREEN RAL 6005.
 - PALES TO BE TRIPLE POINTED & SPLAYED, AND WELDED TO RAILS IN ACCORDANCE WITH CL. 5.1 OF BS 1722-12.
 - GAP BETWEEN PALES AND BETWEEN PALES AND RSJ TO BE NOT GREATER THAN 50 mm.
 - MINIMUM HEIGHT OF GATES ON EITHER SIDE OF COMPOUND IS TO BE 2600 mm.
 - IN AREAS OF MADE-UP GROUND, ADDITIONAL CONCRETE TO BE USED IN BASE QUANTITY TO BE APPROVED BY THE ENGINEER IN ADVANCE.
 - CONCRETE TO BE GRADE C30/37.
 - THE GATE IS TO BE CONSTRUCTED IN ACCORDANCE WITH B.S. 1722 PART 12.
 - TOP OF PALES TO GATES TO BE LEVEL WITH TOP OF PALES TO FENCE.
 - WASHERS TO BE USED ON ALL NUTS.



PLAN
DETAIL 1 SHOWING LOCKING ARRANGEMENT
SCALE 1:20



DETAIL
SCALE 1:5

HINGE MOUNT DETAIL
SCALE 1:10

Rev	Date	Revision description	Drn	Prod	Ver	App
1	06.12.18	CLIENT NAME REVISED	SB	SB	BL	DS
0	16.02.18	ISSUED FOR PLANNING	RK	RK	BL	DS

Purpose of issue - Preliminary unless indicated
 Tender Client approval Construction As-built Revised

ESB INTERNATIONAL
 One Dublin Airport Central,
 Dublin Airport, Cloughran, Co. Dublin
 Tel: 353 1 703 8000 Email: marketing@esbi.ie
 Web: www.esbinternational.ie
 ESB International is a trading name of
 ESBI Engineering & Facility Management Ltd.
 Registered Office: as above
 Registered in Ireland No. 155249

Client
 ESB WIND DEVELOPMENT LTD. AND
 BORD NA MÓNA POWERGEN LTD.

Project
 TIMAHOE NORTH SOLAR FARM

Contract

Drawing title
 TIMAHOE NORTH SOLAR FARM
 PALISADE GATES - NOTES & DETAILS
 SHEET 2 OF 2

Production unit
 ESB WIND DEVELOPMENT LTD

COPYRIGHT © ESBI ENGINEERING & FACILITY MANAGEMENT LIMITED. All rights reserved. No part of this work may be modified or reproduced or copied in any form or by any means - graphic, electronic or mechanical, including photocopying, recording, taping or information-and-retrieval system, or used for any purpose other than its designated purpose, without the written permission of ESBI Engineering & Facility Management Ltd.

Drawn	Produced	Verified	Approved	Approved date
S.Bolton				

Client ref.	No. of sheets	Size	Scale
TC219348	1	A3	AS SHOWN

Drawing number PE605-D025-009-002-001
 Sheet Rev