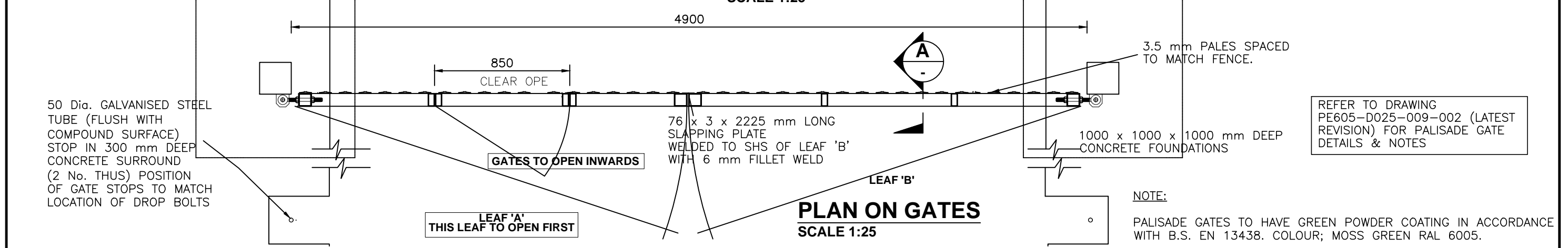


ELEVATION TO INSIDE OF GATES
SCALE 1:25



Rev	Date	Revision description	Drn	Prod	Ver	App
1	06.12.18	CLIENT NAME REVISED	SB	SB	BL	DS
0	16.02.18	ISSUED FOR PLANNING	RK	RK	BL	DS

Purpose of issue - Preliminary unless indicated

Tender Client approval Construction As-built Revised

ESB INTERNATIONAL

One Dublin Airport Central,
Dublin Airport, Cloughran, Co. Dublin

Tel: 353 1 703 8000 Email: marketing@esbi.ie
Web: www.esbinternational.ie

ESB International is a trading name of
ESBI Engineering & Facility Management Ltd.

Registered Office: as above
Registered in Ireland No. 155249

Client
ESB WIND DEVELOPMENT LTD. AND
BORD NA MÓNA POWERGEN LTD.

Project
TIMAHOE NORTH SOLAR FARM

Contract

Drawing title
TIMAHOE NORTH SOLAR FARM
PALISADE GATES - NOTES & DETAILS
SHEET 1 OF 2

Production unit
ESB WIND DEVELOPMENT LTD

COPYRIGHT © ESBI ENGINEERING & FACILITY MANAGEMENT LIMITED. All rights reserved. No part of this work may be modified or reproduced or copied in any form or by any means - graphic, electronic or mechanical, including photocopying, recording, taping or information-and-retrieval system, or used for any purpose other than its designated purpose, without the written permission of ESBI Engineering & Facility Management Ltd.

Drawn	Produced	Verified	Approved	Approved date
S.Bolton				

Client ref.	No. of sheets	Size	Scale
TC219348	1	A3	AS SHOWN

Drawing number PE605-D025-009-001-001

Sheet Rev