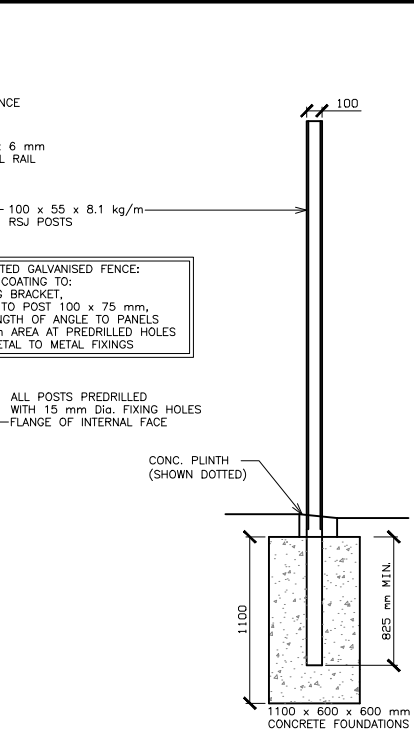
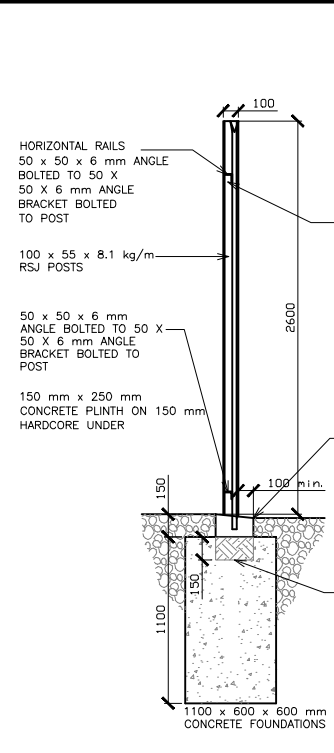


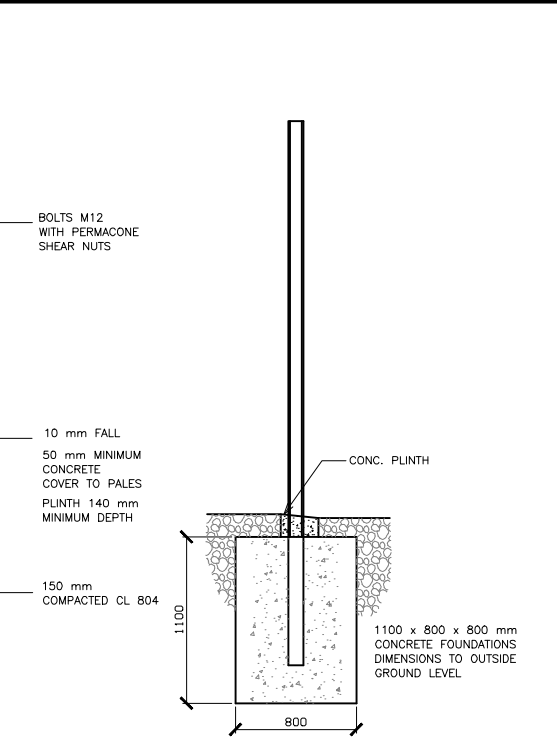
ELEVATION OF FENCE
SCALE 1:50



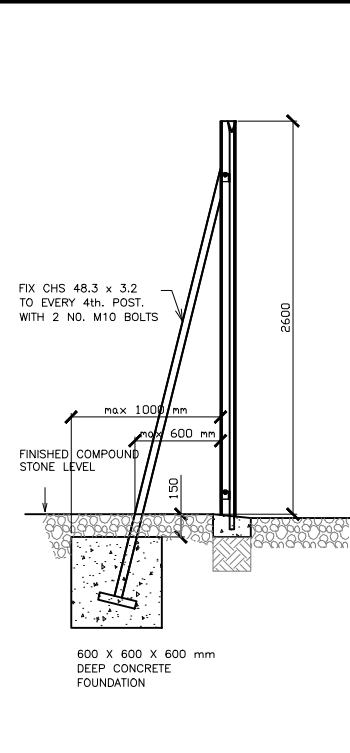
SIDE ELEVATION OF POST
SCALE 1:50



PALES & PLINTH DETAILS
SCALE 1:50

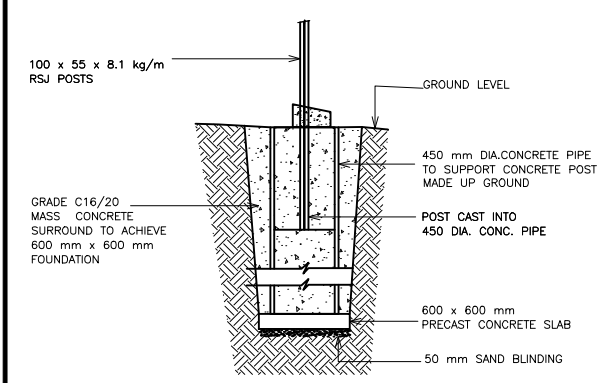


DETAILS OF FOUNDATION TO CORNER POST
SCALE 1:50

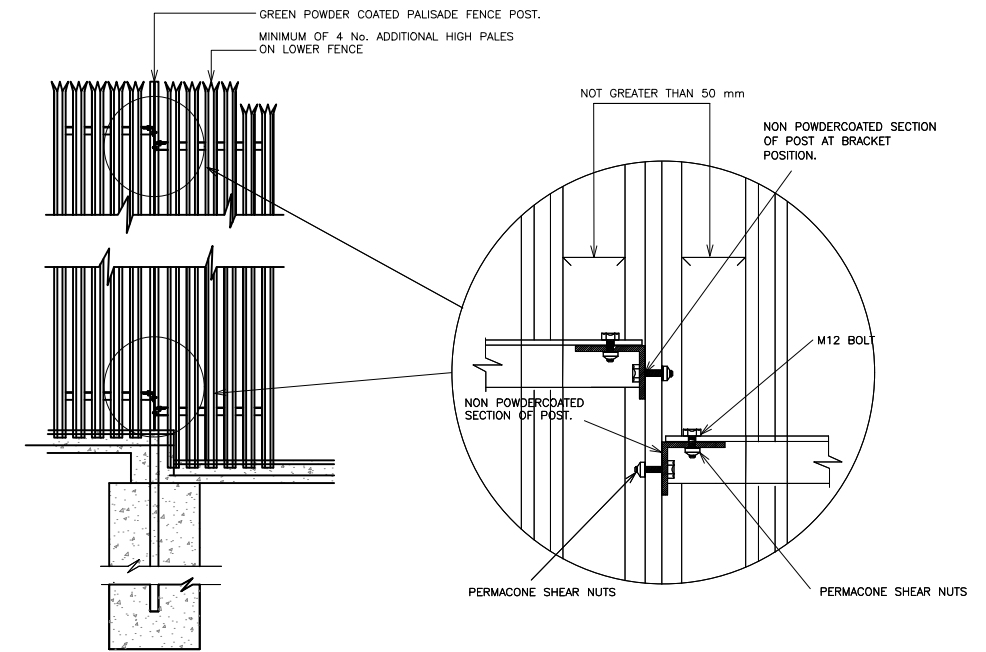


DETAIL OF STRUTS TO FENCING
SCALE 1:50
(WHERE REQUIRED)

- NOTES
- THIS DRAWING IS NOT TO BE SCALED.
 - GALVANISING TO BE IN ACCORDANCE WITH BS EN ISO 1461.
 - POWDER COATING TO BE IN ACCORDANCE WITH BS EN 13438.
 - PALES TO BE TRIPLE POINTED & SPLAYED, AND WELDED TO RAILS IN ACCORDANCE WITH CL. 5.1 OF BS 1722
 - GAP BETWEEN PALES AND BETWEEN PALES AND RSJ TO BE NOT GREATER THAN 50 mm.
 - MINIMUM HEIGHT OF FENCE ON EITHER SIDE OF COMPOUND IS TO BE 2600 mm
 - IN AREAS OF MADE-UP GROUND ADDITIONAL CONCRETE TO BE USED IN BASE. QUANTITY TO BE APPROVED BY THE ENGINEER IN ADVANCE.
 - CONCRETE TO BE GRADE C30/37 TO BASES.
 - PALISADE FENCE TO HAVE GREEN POWDER COATING IN ACCORDANCE S. WITH B.S. EN 13438. COLOUR: MOSS GREEN RAL 6005.
 - PALISADE FENCE TO BE CONSTRUCTED IN ACCORDANCE WITH B.S. 1722 PART 12.

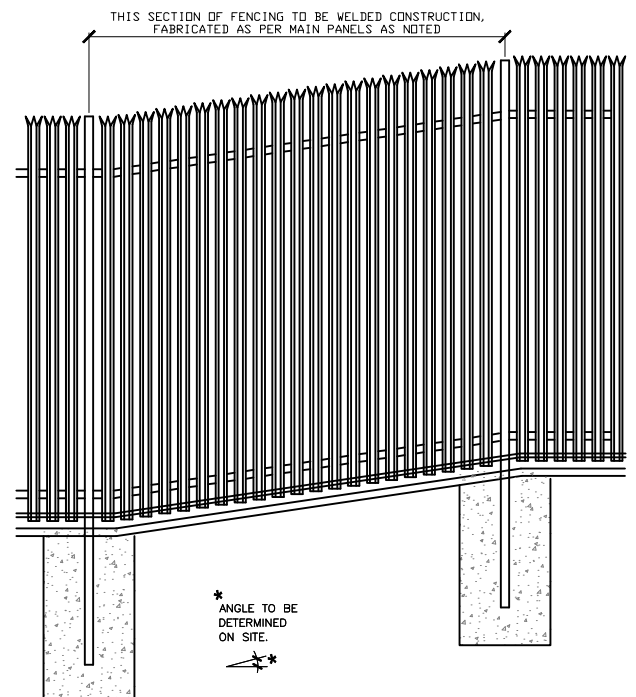


DETAIL WHERE THERE IS MADE-UP GROUND
SCALE 1:50

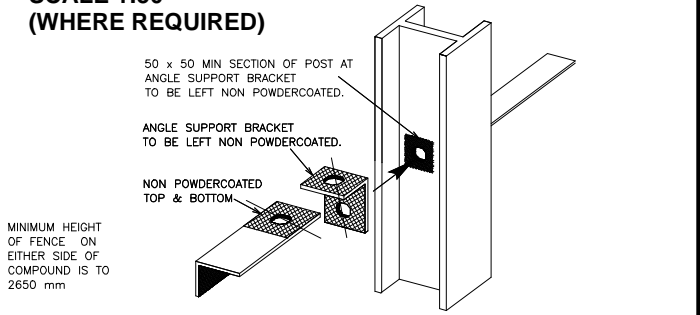


STEP(S) IN PALISADE FENCE (WHERE APPLICABLE)
SCALE 1:50

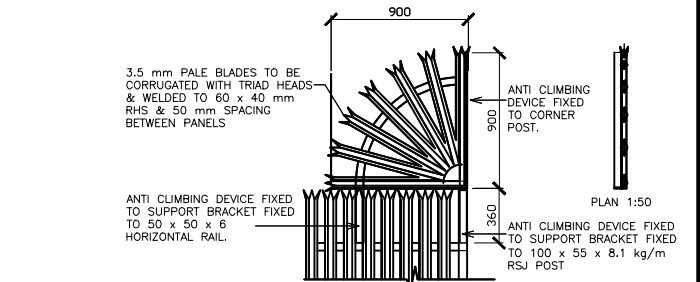
DEPTH OF STEP TO BE AGREED ON SITE, BUT NOT GREATER THAN 200 mm
NOTE:- ADDITIONAL HIGH PALES ON LOWER FENCE.



ELEVATION TO TYPICAL SLOPED SECTION OF FENCING
SCALE 1:50



DETAIL OF COATING AT FIXING POINTS
SCALE 1:50



DETAILS OF ANTI-CLIMBING AID (WHERE APPLICABLE)
SCALE 1:50

Rev	Date	Revision description	Drn	Prod	Ver.	App
1	06.12.18	ISSUED FOR PLANNING	SB	SB	BL	DS
0	16.02.18	ISSUED FOR PLANNING	RK	RK	BL	DS

Purpose of issue - Preliminary unless indicated

Tender Client approval Construction As-built Revised

ESB INTERNATIONAL

One Dublin Airport Central,
Dublin Airport, Cloughran, Co. Dublin

Tel: 353 1 703 8000 Email: marketing@esbi.ie
Web: www.esbinternational.ie

ESB International is a trading name of
ESBI Engineering & Facility Management Ltd.

Registered Office: as above
Registered in Ireland No. 155249

Client
ESB WIND DEVELOPMENT LTD. AND BORD NA MOA POWERGEN LTD.

Project
TIMAHOE NORTH SOLAR FARM

Contract

Drawing title
TIMAHOE NORTH SOLAR FARM PALISADE FENCE DETAILS

Production unit
ESB WIND DEVELOPMENT LTD

COPYRIGHT © ESBI ENGINEERING & FACILITY MANAGEMENT LIMITED. All rights reserved. No part of this work may be modified or reproduced or copied in any form or by any means - graphic, electronic or mechanical, including photocopying, recording, taping or information-and-retrieval system, or used for any purpose other than its designated purpose, without the written permission of ESBI Engineering & Facility Management Ltd.

Drawn	Produced	Verified	Approved	Approved date
S. Bolton				

Client ref.	No. of sheets	Size	Scale
TC219347	1	A3	AS SHOWN

Drawing number **PE605-D025-008-001-001** Sheet Rev