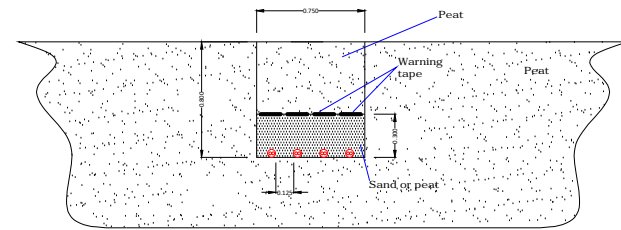
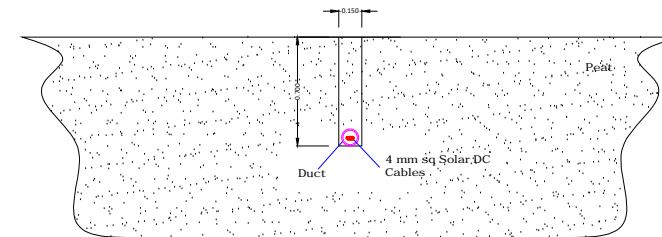


**MAIN DC TRENCH
(WITH OR WITHOUT DUCT)**



The direct buried (without duct) option is pictured above.
 4x 300mm² double pole copper cables
 (each cable carrying both the negative and positive from a combiner box)
 Armored cable without ducts
 Thermosetting 90C
 Each cable connects one combiner box with the inverter
 Keep the distance between the cables as noted

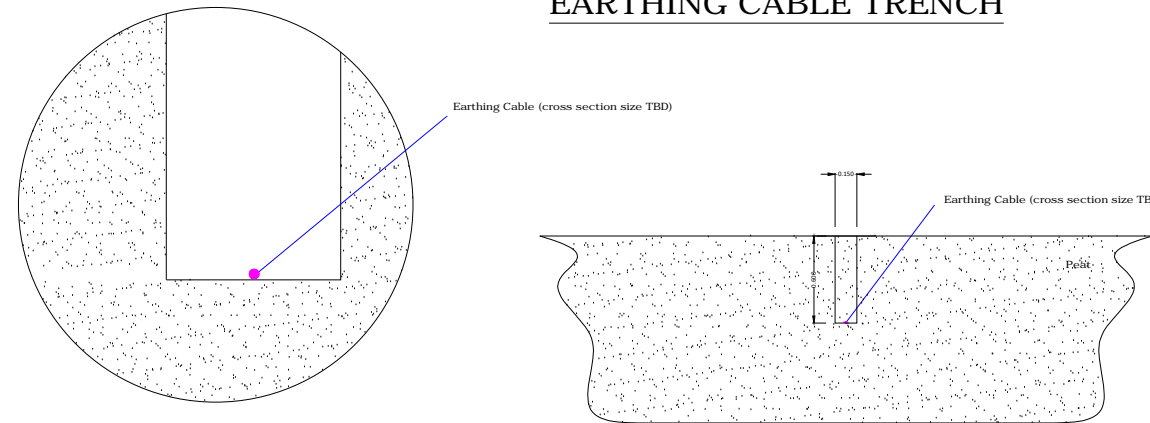
STRING CABLES TRENCH - 110/94mm DUCT



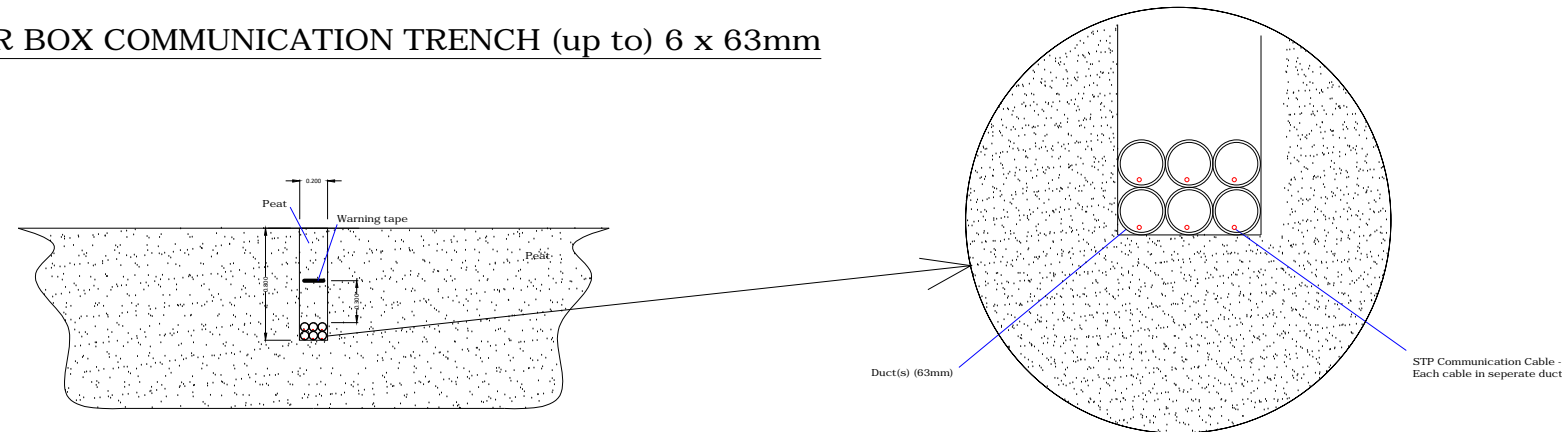
Up to 24 x 2 (positive and negative pole) string DC (4mm sq) cables

Notes:
 1) Dimensions and equipment arrangements shown are indicative and subject to change depending on onsite conditions and ESB requirements and final design.

EARTHING CABLE TRENCH



COMBINER BOX COMMUNICATION TRENCH (up to 6 x 63mm)



Rev.	Date	Revision description	Drn.	Prod.	Ver.	App.
0	12.18	ISSUED FOR PLANNING	NK	NK	AD	DL

Client Approval Planning Tender Construction As-Built

ESB INTERNATIONAL
 One Dublin Airport Central,
 Dublin Airport, Cloghran, Co. Dublin
 Tel: 353 1 703 8000 Email: marketing@esbi.ie
 Web: www.esbinternational.ie
 ESB International is a trading name of
 ESBI Engineering & Facility Management Ltd.
 Registered Office: as above
 Registered in Ireland No. 155249

Client
 ESB Wind Development Ltd and Bord na Móna Powergen Ltd

Project
 Timahoe North Solar Farm

Contract

Drawing title
 Cable trenches cross sections

Production unit
 ESB Wind Development

*COPYRIGHT © ESB INTERNATIONAL LIMITED
 ALL RIGHTS RESERVED. NO PART OF THIS WORK MAY BE MODIFIED, REPRODUCED OR COPIED IN ANY FORM OR BY ANY MEANS
 GRAPHIC, ELECTRONIC OR MECHANICAL, INCLUDING PHOTOCOPYING, RECORDING, TAPING OR USED FOR ANY PURPOSE
 OTHER THAN ITS DESIGNATED PURPOSE, WITHOUT THE WRITTEN PERMISSION OF ESB INTERNATIONAL
 MANAGEMENT LTD., TRADING AS ESB INTERNATIONAL.*

Drawn	Produced	Verified	Approved	Approval date
NK	NK	AD	DL	04/12/2018
Client ref. 00 - 00		No. of sheets 1	Size A3	Scale NTS
Drawing number QS-000218-01-D605-011				SHEET REV