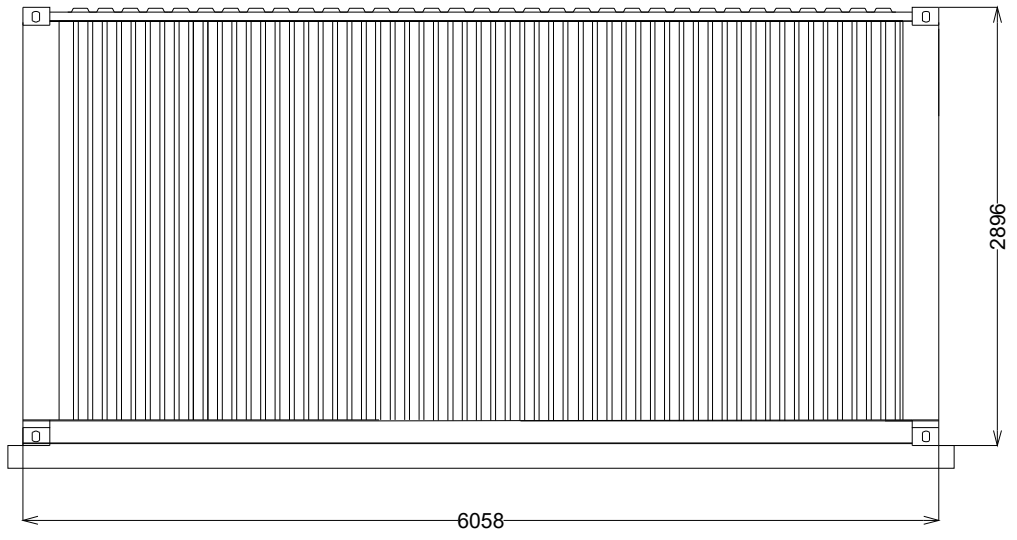
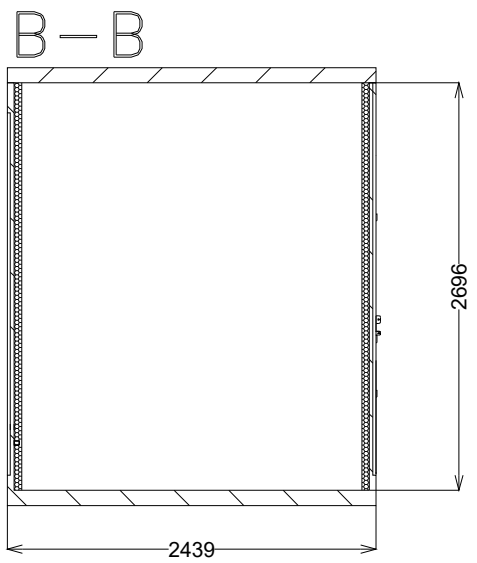


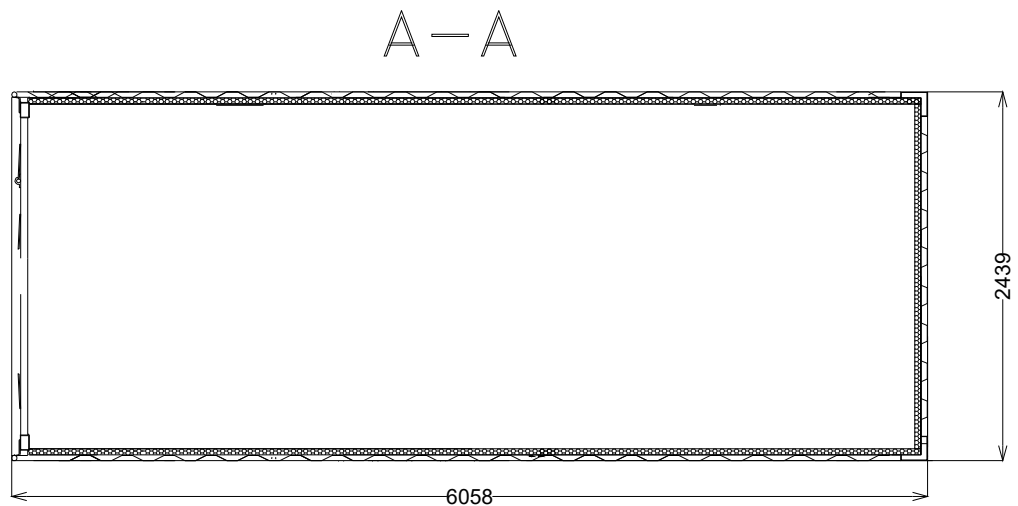
FRONT VIEW



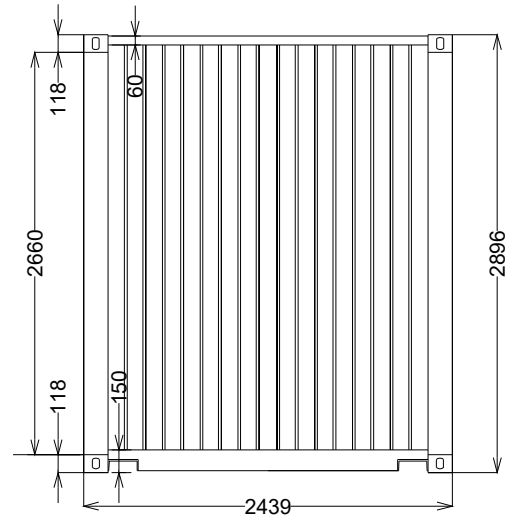
BACK VIEW



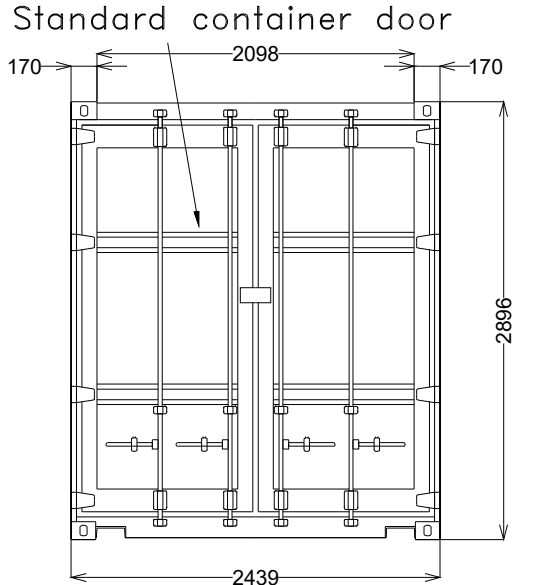
CROSS SECTION



FLOOR PLAN



LEFT VIEW



RIGHT VIEW

Rev.	Date	Revision description	Drn.	Prod.	Ver.	App.
0	12.18	ISSUED FOR PLANNING	NK	NK	AD	DL

Client Approval Planning Tender Construction As-Built

ESB INTERNATIONAL

One Dublin Airport Central,
Dublin Airport, Cloghran, Co. Dublin

Tel: 353 1 703 8000 Email: marketing@esbi.ie
Web: www.esbinternational.ie

ESB International is a trading name of
ESBI Engineering & Facility Management Ltd.

Registered Office: as above
Registered in Ireland No. 155249

Client
ESB Wind Development Ltd and Bord na Móna Powergen Ltd

Project
Timahoe North Solar Farm

Contract

Drawing title
Elevation - Storage container (20ft)

Production unit
ESB Wind Development

*COPYRIGHT © ESB INTERNATIONAL LIMITED
ALL RIGHTS RESERVED. NO PART OF THIS WORK MAY BE MODIFIED, REPRODUCED OR COPIED IN ANY FORM OR BY ANY MEANS
GRAPHIC, ELECTRONIC OR MECHANICAL, INCLUDING PHOTOCOPYING, RECORDING, TAPING OR USED FOR ANY PURPOSE
OTHER THAN ITS DESIGNATED PURPOSE, WITHOUT THE WRITTEN PERMISSION OF ESB ENGINEERING & FACILITY
MANAGEMENT LTD., TRADING AS ESB INTERNATIONAL.*

Drawn NK	Produced NK	Verified AD	Approved DL	Approval date 04/12/2018
Client ref. 00 - 00		No. of sheets 1	Size A3	Scale 1:50 @ A3
Drawing number QS-000218-01-D605-009				SHEET REV