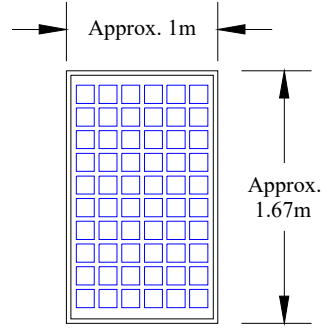
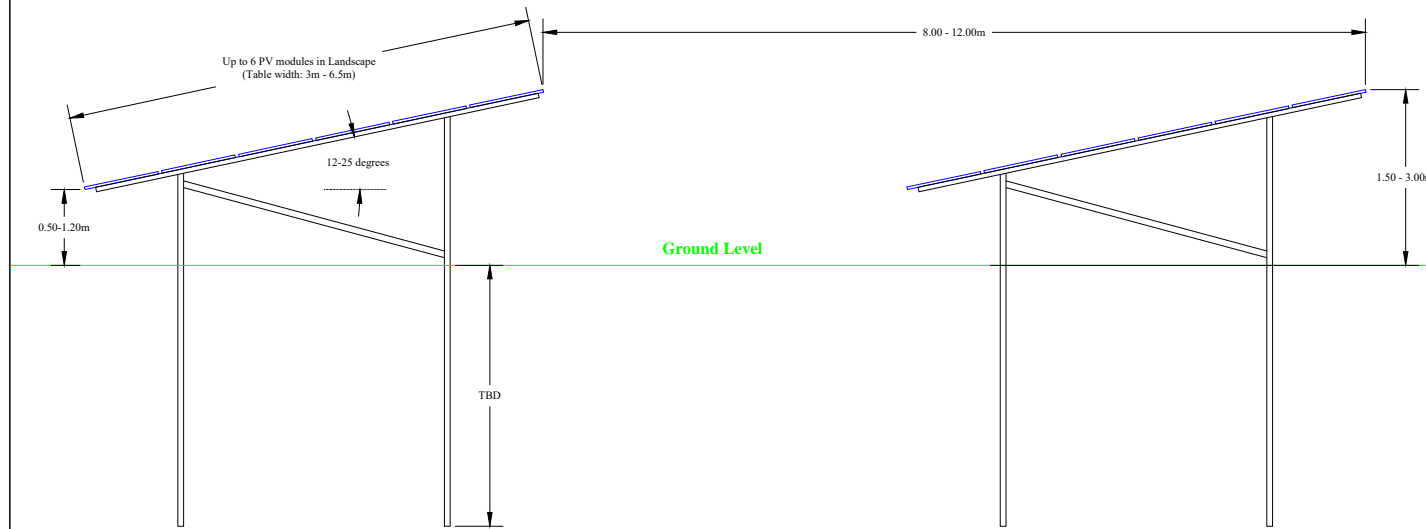


**TYPICAL PV MODULE
(Polycrystalline 60cells)**

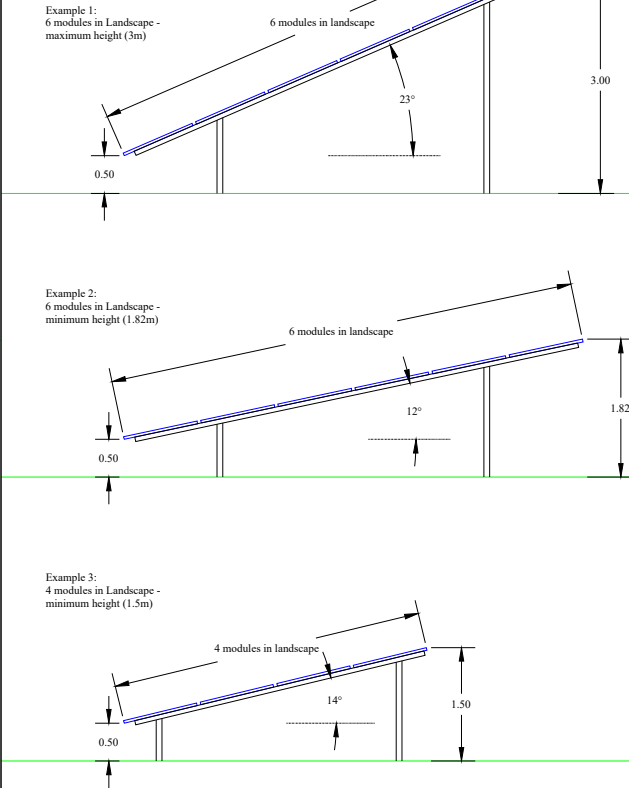


Scale: 1:25 @ A1

PV TABLE SIDE VIEW

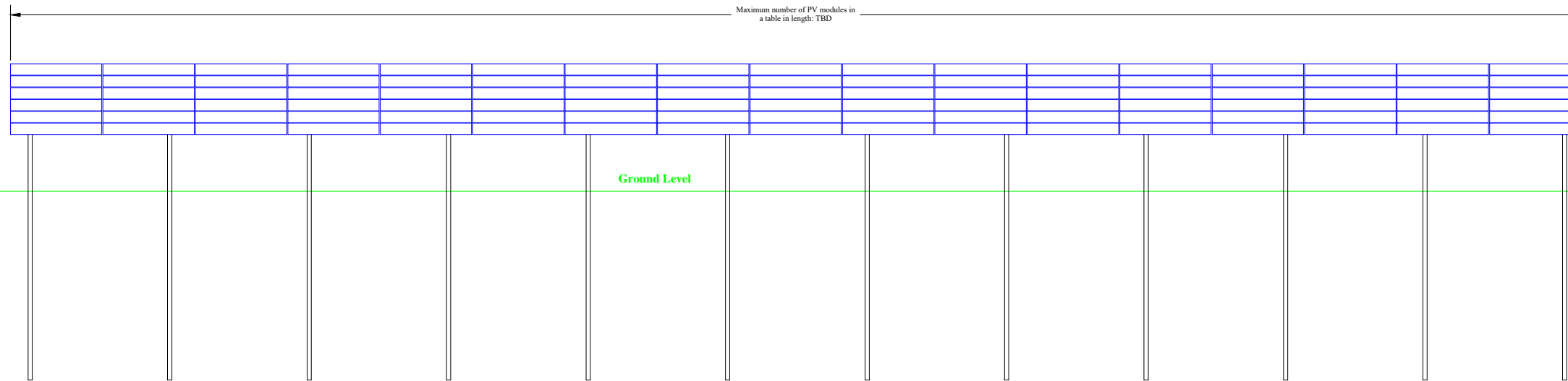


**PV TABLE ARRANGEMENT
EXAMPLES**



- Notes:**
- 1) Dimensions and equipment arrangements shown are indicative and subject to change depending on onsite conditions and ESB requirements and final design.
 - 2) The number of modules along the width of the table can be up to 6 in Landscape.
 - 3) The tilt of the modules and the front-to-front distance between the PV tables depends on the final selection of the number of the modules along the width of the tables (e.g. 6L).
 - 4) The depth of the piles will vary depending on the depth of the peat in the area. It will be determined at a later stage.
 - 5) All the above decisions will be made during the final design process.

PV TABLE FRONT VIEW



Rev.	Date	Revision description	Drn.	Prod.	Ver.	App.
0	12.18	ISSUED FOR PLANNING	NK	NK	AD	DL

Client Approval Planning Tender Construction As-Built

ESB INTERNATIONAL
 One Dublin Airport Central,
 Dublin Airport, Cloughran, Co. Dublin
 Tel: 353 1 703 8000 Email: marketing@esbi.ie
 Web: www.esbinternational.ie
 ESB International is a trading name of
 ESBI Engineering & Facility Management Ltd.
 Registered Office: as above
 Registered in Ireland No. 155249

Client
 ESB Wind Development Ltd and Bord na Móna Powergen Ltd

Project
 Timahoe North Solar Farm

Contract

Drawing title
 Section & Elevation - PV table (Landscape)

Production unit
 ESB Wind Development

*COPYRIGHT © ESB INTERNATIONAL LIMITED
 ALL RIGHTS RESERVED. NO PART OF THIS WORK MAY BE MODIFIED, REPRODUCED OR COPIED IN ANY FORM OR BY ANY MEANS
 GRAPHIC, ELECTRONIC OR MECHANICAL, INCLUDING PHOTOCOPYING, RECORDING, TAPING OR USED FOR ANY PURPOSE
 OTHER THAN ITS DESIGNATED PURPOSE, WITHOUT THE WRITTEN PERMISSION OF ESBI ENGINEERING & FACILITY
 MANAGEMENT LTD., TRADING AS ESB INTERNATIONAL.*

Drawn NK	Produced NK	Verified AD	Approved DL	Approval date 04/12/2018
Client ref. 00 - 00		No. of sheets 1	Size A3	Scale 1:100 @ A3
Drawing number QS-000218-01-D605-006				SHEET REV